

## NX10-Z-XL

Needle roller/axial ball bearing

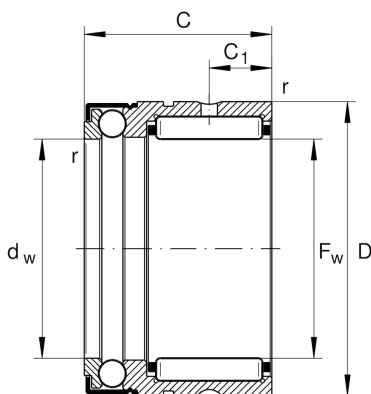
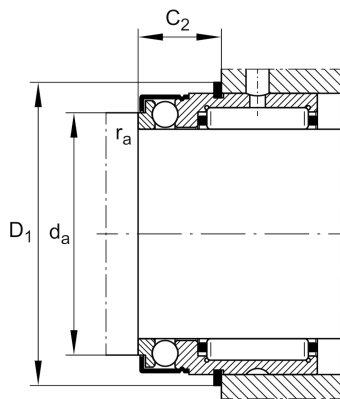
Schaeffler ID:  
0507791500000

Needle roller/axial ball bearings NX..-Z, single direction axial component, for grease lubrication

X-life

### Technical information

2)



### Main Dimensions & Performance Data

$F_w$	10 mm	Bore diameter
$D$	19 mm	Outside diameter
$C$	18 mm	Height
$C_r$	5,000 N	Basic dynamic load rating, radial
$C_{0r}$	3,700 N	Basic static load rating, radial
$C_a$	4,600 N	Basic dynamic load rating, axial
$C_{0a}$	7,200 N	Basic static load rating, axial
$C_{ur}$	730 N	Fatigue load limit, radial
$C_{ua}$	330 N	Fatigue load limit, axial
$n_G$	11,000 1/min	Limiting speed
	21.3 g	Weight

### Dimensions

	IR6X10X10-IS1-XL	Suitable inner rings IR
	WR19, SW19	Snap ring
$C_1$	4.7 mm	Distance to lubrication hole
$C_2$	4.7 mm	Distance to lubrication hole
$d_w$	10 mm	Bore diameter of shaft washer
$r_{min}$	0.3 mm	Minimum chamfer dimension

### Mounting dimensions

$d_a$	14.6 mm	Mounting dimension shaft shoulder
$r_{a max}$	0.3 mm	Maximum recess radius
$D_1$	21.9 mm	Connection diameter snap ring
$C_2$	10 mm	Connection width with snap ring

### Temperature range

$T_{min}$	-30 °C	Operating temperature min.
$T_{max}$	120 °C	Operating temperature max.